

ADDENDUM TO THE CONTRACT
For
Wally Noerenberg Hatchery
Adult Collection System Improvements – Phase II Fishway Construction

ADDENDUM NO.: **One**

CURRENT BID SUBMITTAL DATE:
October 6, 2017
4:00 p.m. Local Time

PREVIOUS ADDENDA: **None**

ISSUED BY: Prince William Sound Aquaculture Corporation
PO Box 1110
Cordova, Alaska 99574
Attention: Tim Joyce

DATE ADDENDUM ISSUED: **October 3, 2017**

The following items of the Contract are modified as herein indicated. All other items remain the same.

INFORMATION ITEMS:

Item No. 1: Attached is a modified copy of Drawing W-16 from Esther Hatchery design drawings, dated 1985 illustrating the proposed connections to the existing lower fish ladder.

DRAWINGS:

Item No. 2: Replace Drawing D-101 with the attached revised Drawing D-101.

Item No. 3: Replace Drawing S-002 with the attached revised Drawing S-002.

By: Tim Joyce, PWSAC General Manager
E-Mail: tim.joyce@pwsac.com

Date: October 3, 2017

Total number of pages contained within this Addendum: 4



1500 DEXTER HORTON BUILDING
SEATTLE, WASHINGTON
(206) 382-0866

500 L STREET, SUITE 401
ANCHORAGE, ALASKA 99501
(907) 274-3690

**ANDERSEN
BJORNSTAD
KANE
JACOBS, INC.**

CONSULTING ENGINEERS

ESTHER HATCHERY
PRINCE WILLIAM SOUND AQUACULTURE CORP.
P.O. BOX 119
CORDOVA, ALASKA 99574

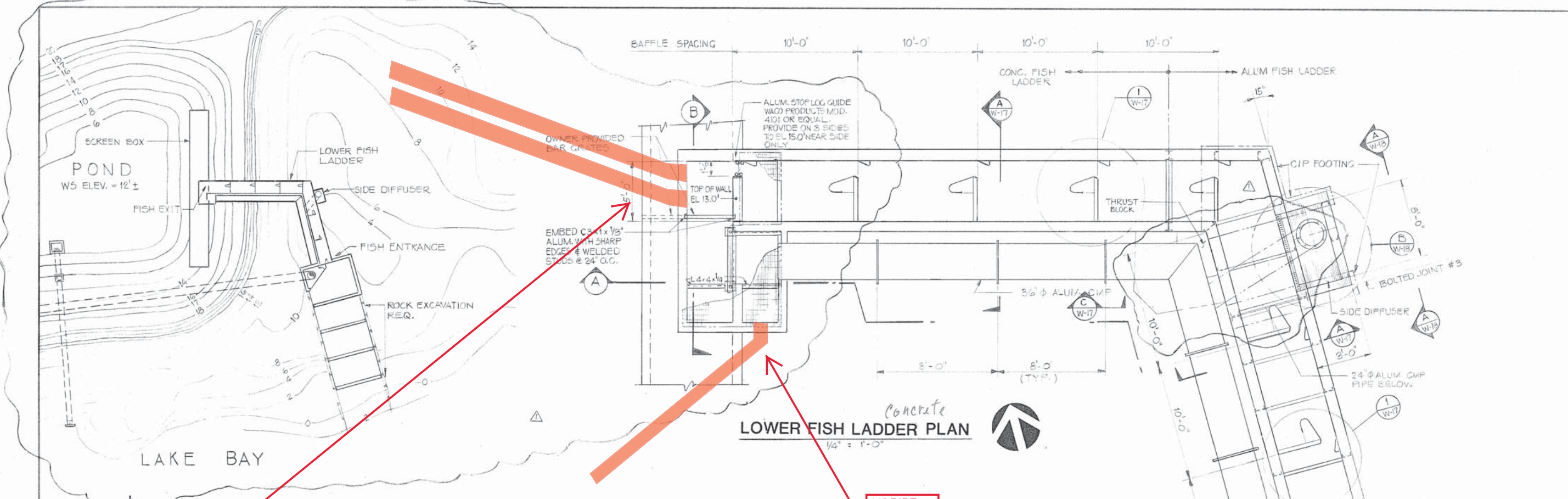
PROJECT: ESTHER HATCHERY
PRINCE WILLIAM SOUND AQUACULTURE CORP.

REVISIONS: 19 APR 05

SHEET CONTENTS: LOWER FISH LADDER PLANS AND ELEVATIONS

PROJECT NO. 03-009
DRAWN: [unintelligible]
CHECKED: [unintelligible]
DATE: APR 1 1985

16

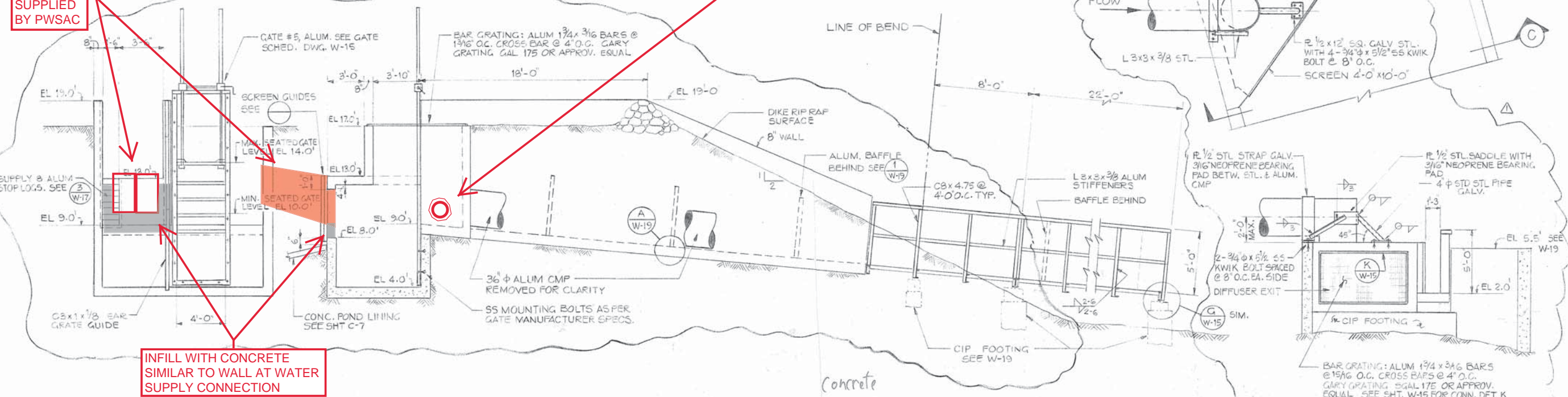


PLAN
1" = 20'

LOWER FISH LADDER PLAN
1/4" = 1'-0"

ALUM FISH
LADDERS
SUPPLIED
BY PWSAC

16" PIPE
AT IE 10.0



INFILL WITH CONCRETE
SIMILAR TO WALL AT WATER
SUPPLY CONNECTION

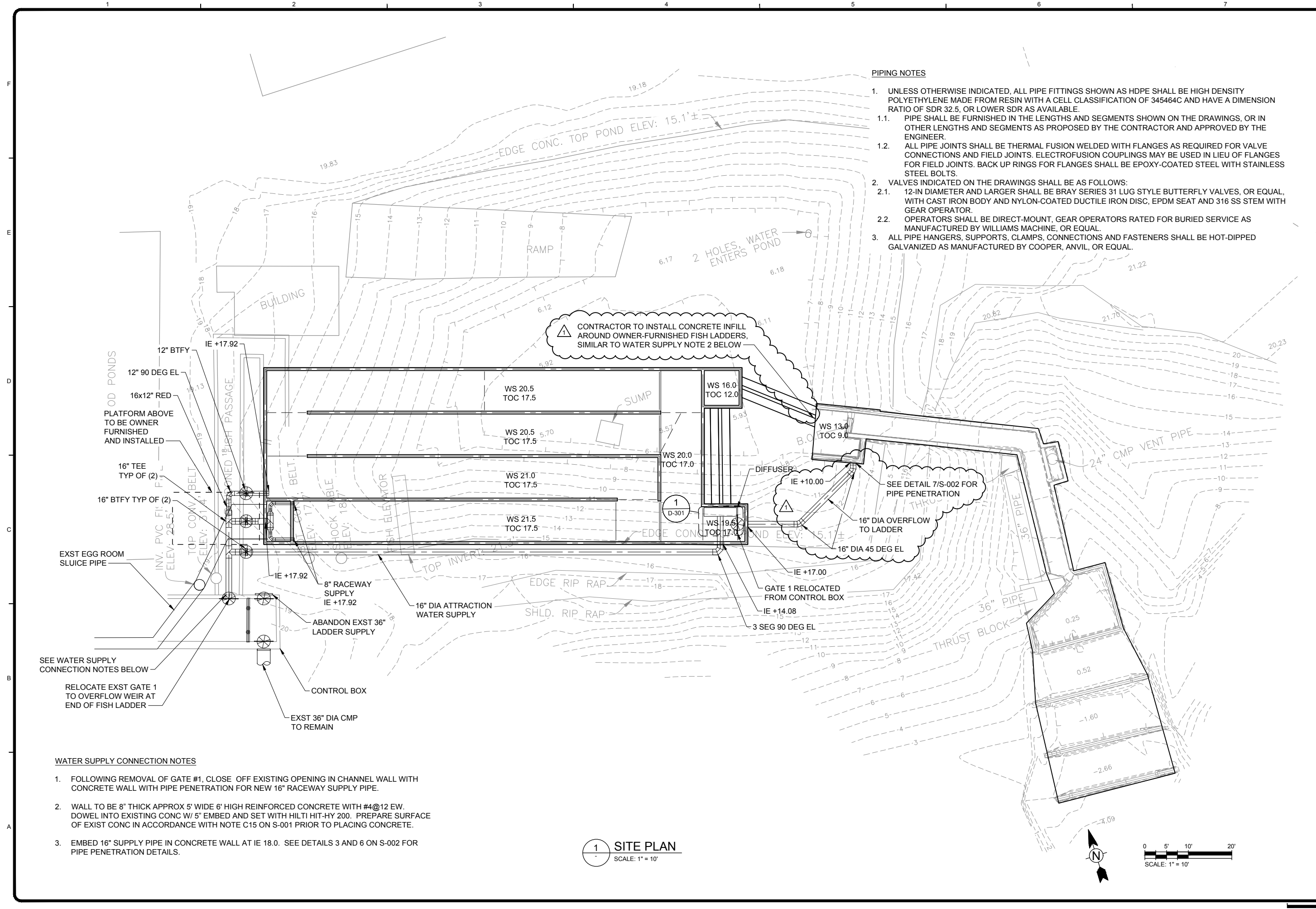
**B LOWER FISH LADDER
FISH EXIT ELEVATION**
1/4" = 1'-0"

**A LOWER FISH LADDER BAY SIDE
DEVELOPED ELEVATION**
1/4" = 1'-0"

C FISH ENTRANCE ELEVATION
1/4" = 1'-0"

FORD GRAPHICS 10/17/83

10/03/17 14:30:30 - K:\ACTIVE\200-22542-17001\WHP ADULT FISH COLLECTION\CAD\SHEETFILES\101-FINAL SITE PIPING PLAN.DWG - BENNETT/DAGGETT, HUNTER



PIPING NOTES

1. UNLESS OTHERWISE INDICATED, ALL PIPE FITTINGS SHOWN AS HDPE SHALL BE HIGH DENSITY POLYETHYLENE MADE FROM RESIN WITH A CELL CLASSIFICATION OF 345464C AND HAVE A DIMENSION RATIO OF SDR 32.5, OR LOWER SDR AS AVAILABLE.
 - 1.1. PIPE SHALL BE FURNISHED IN THE LENGTHS AND SEGMENTS SHOWN ON THE DRAWINGS, OR IN OTHER LENGTHS AND SEGMENTS AS PROPOSED BY THE CONTRACTOR AND APPROVED BY THE ENGINEER.
 - 1.2. ALL PIPE JOINTS SHALL BE THERMAL FUSION WELDED WITH FLANGES AS REQUIRED FOR VALVE CONNECTIONS AND FIELD JOINTS. ELECTROFUSION COUPLINGS MAY BE USED IN LIEU OF FLANGES FOR FIELD JOINTS. BACK UP RINGS FOR FLANGES SHALL BE EPOXY-COATED STEEL WITH STAINLESS STEEL BOLTS.
2. VALVES INDICATED ON THE DRAWINGS SHALL BE AS FOLLOWS:
 - 2.1. 12-IN DIAMETER AND LARGER SHALL BE BRAY SERIES 31 LUG STYLE BUTTERFLY VALVES, OR EQUAL, WITH CAST IRON BODY AND NYLON-COATED DUCTILE IRON DISC, EPDM SEAT AND 316 SS STEM WITH GEAR OPERATOR.
 - 2.2. OPERATORS SHALL BE DIRECT-MOUNT, GEAR OPERATORS RATED FOR BURIED SERVICE AS MANUFACTURED BY WILLIAMS MACHINE, OR EQUAL.
3. ALL PIPE HANGERS, SUPPORTS, CLAMPS, CONNECTIONS AND FASTENERS SHALL BE HOT-DIPPED GALVANIZED AS MANUFACTURED BY COOPER, ANVIL, OR EQUAL.

CONTRACTOR TO INSTALL CONCRETE INFILL AROUND OWNER-FURNISHED FISH LADDERS, SIMILAR TO WATER SUPPLY NOTE 2 BELOW

SEE DETAIL 7/S-002 FOR PIPE PENETRATION
16" DIA OVERFLOW TO LADDER
16" DIA 45 DEG EL

WATER SUPPLY CONNECTION NOTES

1. FOLLOWING REMOVAL OF GATE #1, CLOSE OFF EXISTING OPENING IN CHANNEL WALL WITH CONCRETE WALL WITH PIPE PENETRATION FOR NEW 16" RACEWAY SUPPLY PIPE.
2. WALL TO BE 8" THICK APPROX 5' WIDE 6' HIGH REINFORCED CONCRETE WITH #4@12 EW. DOWEL INTO EXISTING CONC W/ 5" EMBED AND SET WITH HILTI HIT-HY 200. PREPARE SURFACE OF EXIST CONC IN ACCORDANCE WITH NOTE C15 ON S-001 PRIOR TO PLACING CONCRETE.
3. EMBED 16" SUPPLY PIPE IN CONCRETE WALL AT IE 18.0. SEE DETAILS 3 AND 6 ON S-002 FOR PIPE PENETRATION DETAILS.

1 SITE PLAN
SCALE: 1" = 10'



TETRA TECH
www.tetratech.com
217 Second Street, Suite 207
Juneau, AK 99801
Tel 907.586.6400

STATE OF ALASKA
49th
H.R. Nader, ASCE
HAMD REZA NADER-ASCE
No. SE 13969
REGISTERED PROFESSIONAL ENGINEER

STATE OF ALASKA
49th
Donald R. Beard
DONALD R. BEARD
No. CE 4225
REGISTERED PROFESSIONAL ENGINEER

MARK	DATE	DESCRIPTION
1	10/3/17	ADDENDUM NO. 1

PRINCE WILLIAM SOUND AQUACULTURE CORPORATION
ESTHER ISLAND, ALASKA
WALLY NOERENBERG HATCHERY
ADULT FISH COLLECTION SYSTEM

Project No.: 200-22542-17001
Designed By:
Drawn By:
Checked By:

D-101

Bar Measures 1 inch

Copyright: Tetra Tech

10/3/2017 9:23:52 AM - K:\ACTIVE\200-22542-17001\WNI ADULT FISH COLLECTION\CAD\SHEETFILES\02 TYPICALDETAILS.DWG - MAAS, RYAN

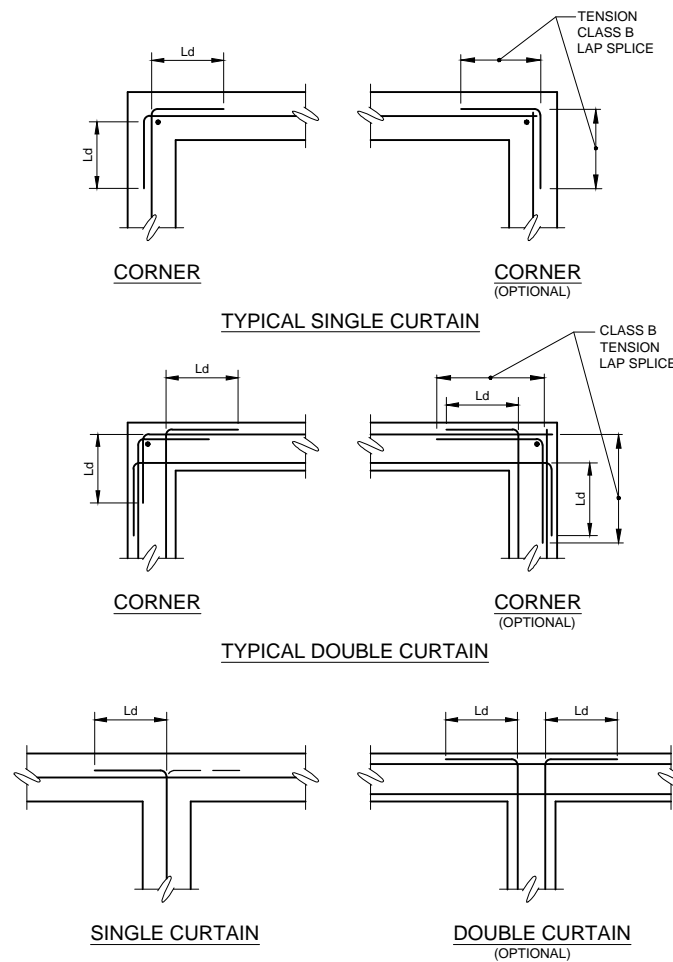
BAR SIZE	TENSION DEVELOPMENT AND SPLICE LENGTHS						
	Ld		CLASS B TENSION LAP		STD 90° HOOK		
	TOP BARS (NOTE 2)	OTHER BARS	TOP BARS (NOTE 2)	OTHER BARS	Ldh	HOOK LENGTH	BEND DIA
#3	18	14	23	19	7	5	3
#4	24	18	31	25	9	6	3
#5	30	23	38	31	12	8	4
#6	35	27	46	37	14	9	5
#7	51	40	67	54	16	11	6
#8	59	45	76	62	18	12	6
#9	66	51	86	70	21	14	10
#10	74	57	96	79	23	16	11
#11	82	64	107	87	26	17	12

NOTES

- FOR GRADE 60 UNCOATED BARS AND NORMAL WEIGHT CONCRETE, $f'c = 4500$ PSI.
- "TOP BARS" ARE HORIZONTAL REINFORCING BARS WHERE 12" OF FRESH CONCRETE IS CAST BELOW THE DEVELOPMENT LENGTH OR SPLICE.

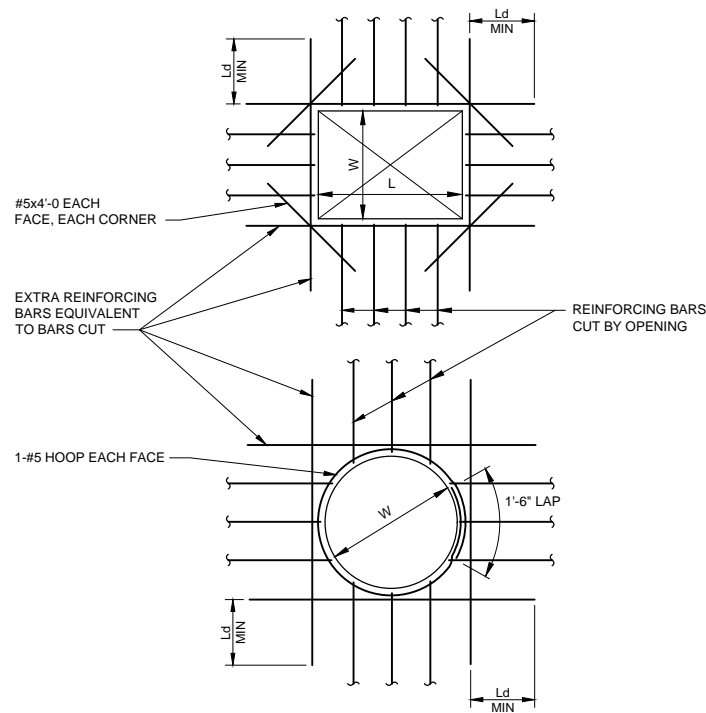
REINFORCING DEVELOPMENT AND LAP SPLICE LENGTHS

1 DETAIL



REINFORCING AT WALL INTERSECTIONS

2 DETAIL

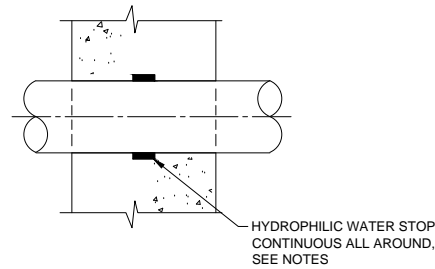


NOTES:

- REINFORCEMENT IN OTHER DIRECTION SHALL BE TREATED IN A SIMILAR MANNER.
- "W" AND "L" = DIMENSION OF OPENING. FOR CIRCULAR OPENINGS, "W" = DIAMETER.
- ALL OPENINGS IN WALLS AND SLABS LARGER THAN OR EQUAL TO 10" IN ANY ONE DIRECTION SHALL CONFORM TO DETAILS.
- OPENING DETAILS SHOWN ARE TYPICAL UNLESS NOTED OTHERWISE.
- THE NUMBER OF ADDITIONAL BARS AT EACH SIDE OF THE OPENING EQUALS HALF THE NUMBER OF TYPICAL REINFORCING BARS THAT ARE INTERRUPTED BY THE OPENING.

REINFORCING AT WALL AND SLAB OPENINGS

3 DETAIL

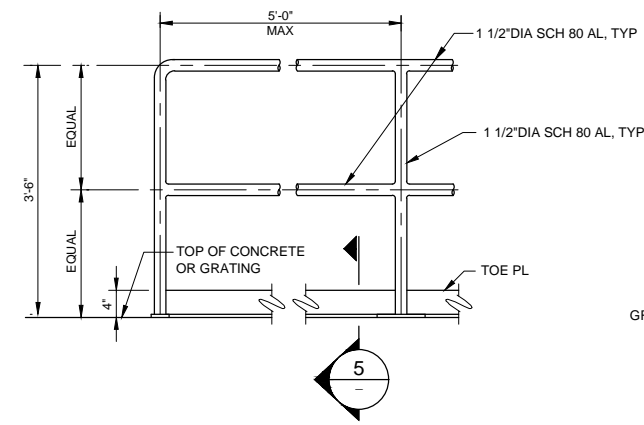


TYPICAL PIPE PENETRATION

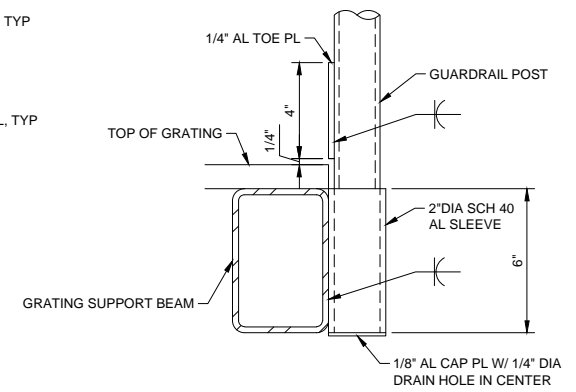
6 DETAIL

NOTES:

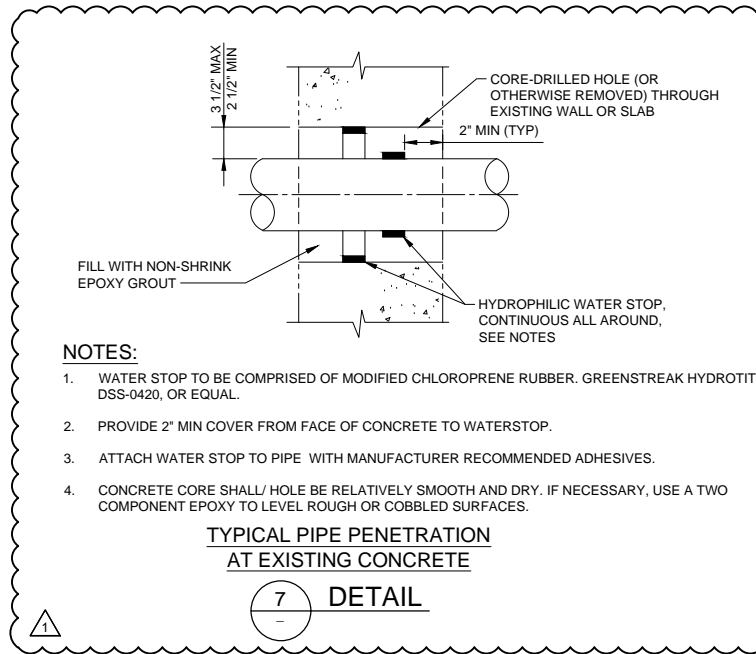
- WATER STOP TO BE COMPRISED OF MODIFIED CHLOROPRENE RUBBER. GREENSTREAK HYDROTITE DSS-0420, OR EQUAL.
- PROVIDE 2" MIN COVER FROM FACE OF CONCRETE TO WATERSTOP.
- ATTACH WATER STOP TO PIPE WITH MANUFACTURER RECOMMENDED ADHESIVES.



4 TYPICAL GUARDRAIL



5 TYPICAL GUARDRAIL CONNECTION



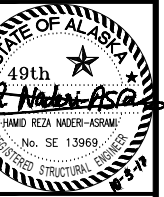
NOTES:

- WATER STOP TO BE COMPRISED OF MODIFIED CHLOROPRENE RUBBER. GREENSTREAK HYDROTITE DSS-0420, OR EQUAL.
- PROVIDE 2" MIN COVER FROM FACE OF CONCRETE TO WATERSTOP.
- ATTACH WATER STOP TO PIPE WITH MANUFACTURER RECOMMENDED ADHESIVES.
- CONCRETE CORE SHALL/ HOLE BE RELATIVELY SMOOTH AND DRY. IF NECESSARY, USE A TWO COMPONENT EPOXY TO LEVEL ROUGH OR COBBLED SURFACES.

TYPICAL PIPE PENETRATION AT EXISTING CONCRETE

7 DETAIL

TETRA TECH



MARK	DATE	DESCRIPTION
1	10/3/17	ADDENDUM NO. 1

PRINCE WILLIAM SOUND AQUACULTURE CORPORATION
ESTHER ISLAND, ALASKA
WALLY NOERENBERG HATCHERY
ADULT FISH COLLECTION SYSTEM

Project No.: 200-22542-17001
Designed By: RWM
Drawn By: RWM
Checked By: HRN

S-002

Copyright: Tetra Tech
Bar Measures 1 inch